

ON-VEHICLE INSPECTION

1. CHECK IGNITION COIL ASSEMBLY AND PERFORM SPARK TEST

NOTICE:

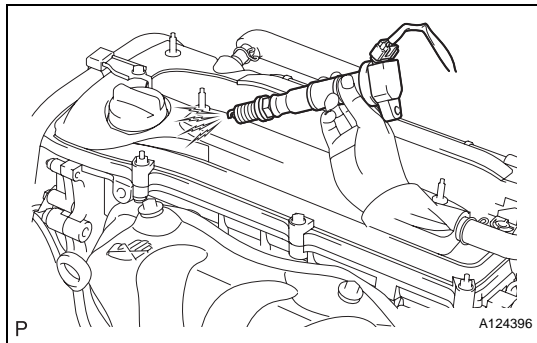
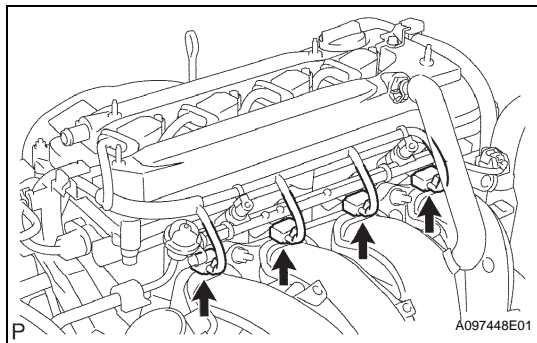
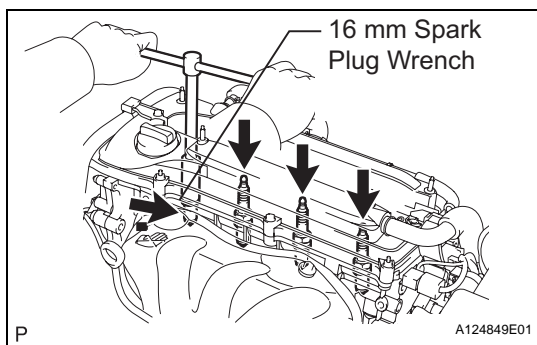
In this section, the terms "cold" and "hot" refer to the temperature of the coils. "Cold" means approximately -10 to 50°C (14 to 122°F). "Hot" means approximately 50 to 100°C (122 to 212°F).

- (a) Check the DTCs.

NOTICE:

If a DTC is present, perform troubleshooting in accordance with the procedure for that DTC.

- (b) Check that sparks occur.
- (1) Remove the No. 1 engine cover.
 - (2) Remove the bolt and ignition coil.
 - (3) Using a 16 mm spark plug wrench, remove the spark plug.



- (4) Disconnect the 4 fuel injector connectors.

- (5) Install the spark plug into the ignition coil, and then connect the ignition coil connectors.
- (6) Ground the spark plug.
- (7) Check that sparks occur at the spark plug while the engine is being cranked.

NOTICE:

- Be sure to ground the spark plugs when checking them.
- If the ignition coil has been struck or dropped, replace it.
- Do not crank the engine for more than 2 seconds.

If sparks do not occur, Perform the spark test.

- (8) Using a 16 mm plug wrench, install the spark plug.

Torque: 25 N*m (254 kgf*cm, 18 ft.*lbf)

- (9) Install the ignition coil with the bolt.
Torque: 9.0 N*m (92 kgf*cm, 80 in.*lbf)
- (10) Connect the 4 fuel injector connectors.
- (11) Install the No. 1 engine cover.
- (c) Spark test flow chart.
 - (1) Check that the ignition coil connector is securely connected.

Result

Result	Proceed to
NG	Connect securely
OK	Go to next step

- (2) Perform the spark test on each ignition coil.
 - 1. Replace the ignition coil with a normal one.
 - 2. Perform the spark test again.

Result

Result	Proceed to
OK	Replace ignition coil
NG	Go to next step

- (3) Check the power supply to the ignition coil.
 - 1. Disconnect the ignition coil connector.
 - 2. Turn the ignition switch ON.
 - 3. Measure the voltage of the wire harness side connector.

Standard voltage

Tester Connection	Specified Condition
1 (+B) - 4 (GND)	9 to 14 V

Result

Result	Proceed to
NG	Check wire harness and connector
OK	Go to next step

- (4) Check the resistance of the camshaft position sensor.

Standard resistance

Temperature Condition	Specified Condition
Cold	835 to 1,400 Ω
Hot	1,060 to 1,645 Ω

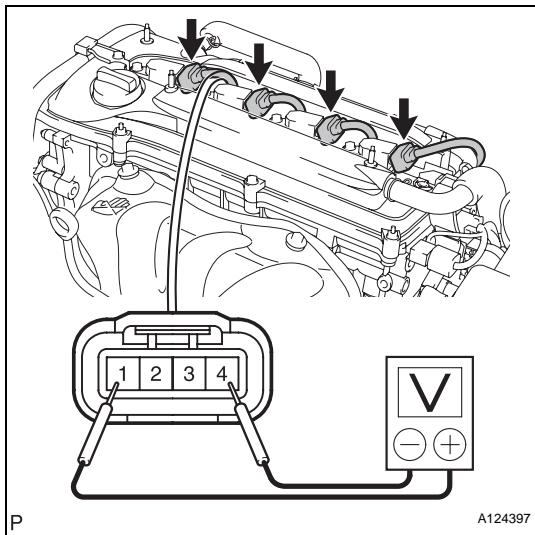
Result

Result	Proceed to
NG	Replace camshaft position sensor
OK	Go to next step

- (5) Check the resistance of the crankshaft position sensor.

Standard resistance

Temperature Condition	Specified Condition
Cold	985 to 1,600 Ω
Hot	1,265 to 1,890 Ω



Result

Result	Proceed to
NG	Replace crankshaft position sensor
OK	Go to next step

(6) Check the IGT signal from the ECM.

Result

Result	Proceed to
NG	Check ECM (see page ES-183)
OK	Repair wiring between ignition coil and ECM

2. CHECK SPARK PLUG

(a) Check the electrode.

(1) Using a megohmmeter, measure the insulation resistance.

Standard insulation resistance:

10 MΩ or more

HINT:

- If a megohmmeter is not available, perform the following simple inspection instead.
- If the result is 10 MΩ or less, clean the plug and measure the resistance again.

(b) Alternative inspection method:

- (1) Quickly accelerate the engine to 4,000 rpm 5 times.
- (2) Remove the spark plug.
- (3) Visually check the spark plug.
If the electrode is dry, the spark plug is functioning properly. If the electrode is damp, proceed to the next step.

(c) Check the spark plug for any damage on its threads and insulator.

If there is damage, replace the spark plug.

Recommended spark plug

Manufacturer	Spark plug type
DENSO	SK20R11
NGK	IFR6A11

(d) Check the spark plug electrode gap.

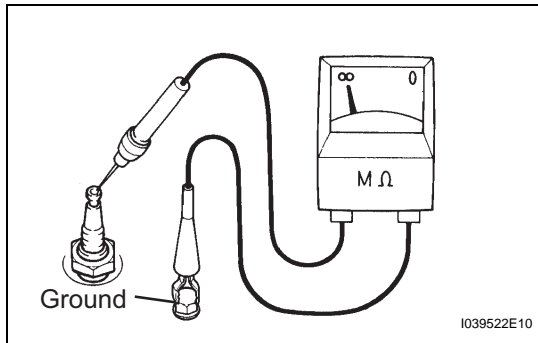
Maximum electrode gap for used spark plug:

1.3 mm (0.051 in.)

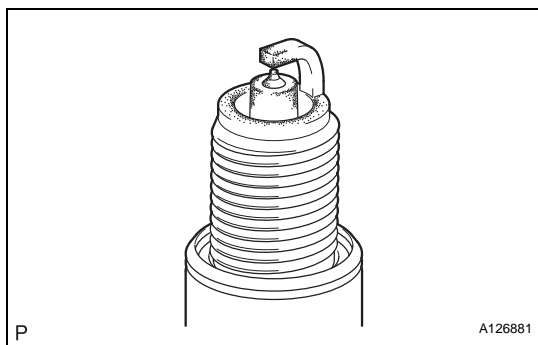
If the gap is greater than the maximum, replace the spark plug.

Electrode gap for new spark plug:

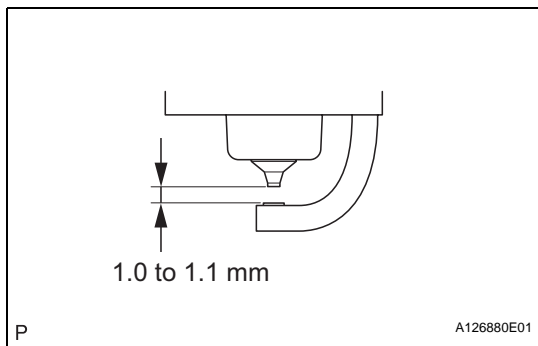
1.0 to 1.1 mm (0.039 to 0.043 in.)



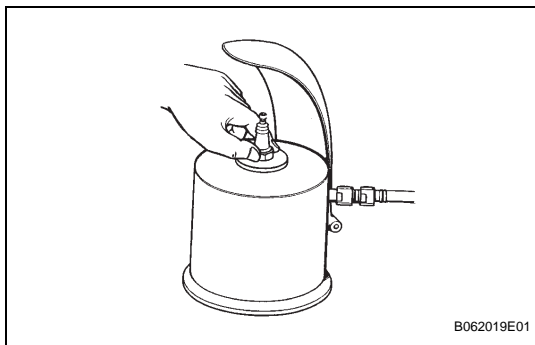
I039522E10



A126881



A126880E01



- (e) Clean the spark plugs.
If the electrode has traces of wet carbon, clean the electrode with a spark plug cleaner and then dry it.

Standard air pressure:

588 kPa (6 kgf*cm², 85 psi)

Standard duration:

20 seconds or less

HINT:

Only use the spark plug cleaner when the electrode is free of oil. If the electrode has traces of oil, use gasoline to clean off the oil before using the spark plug cleaner.