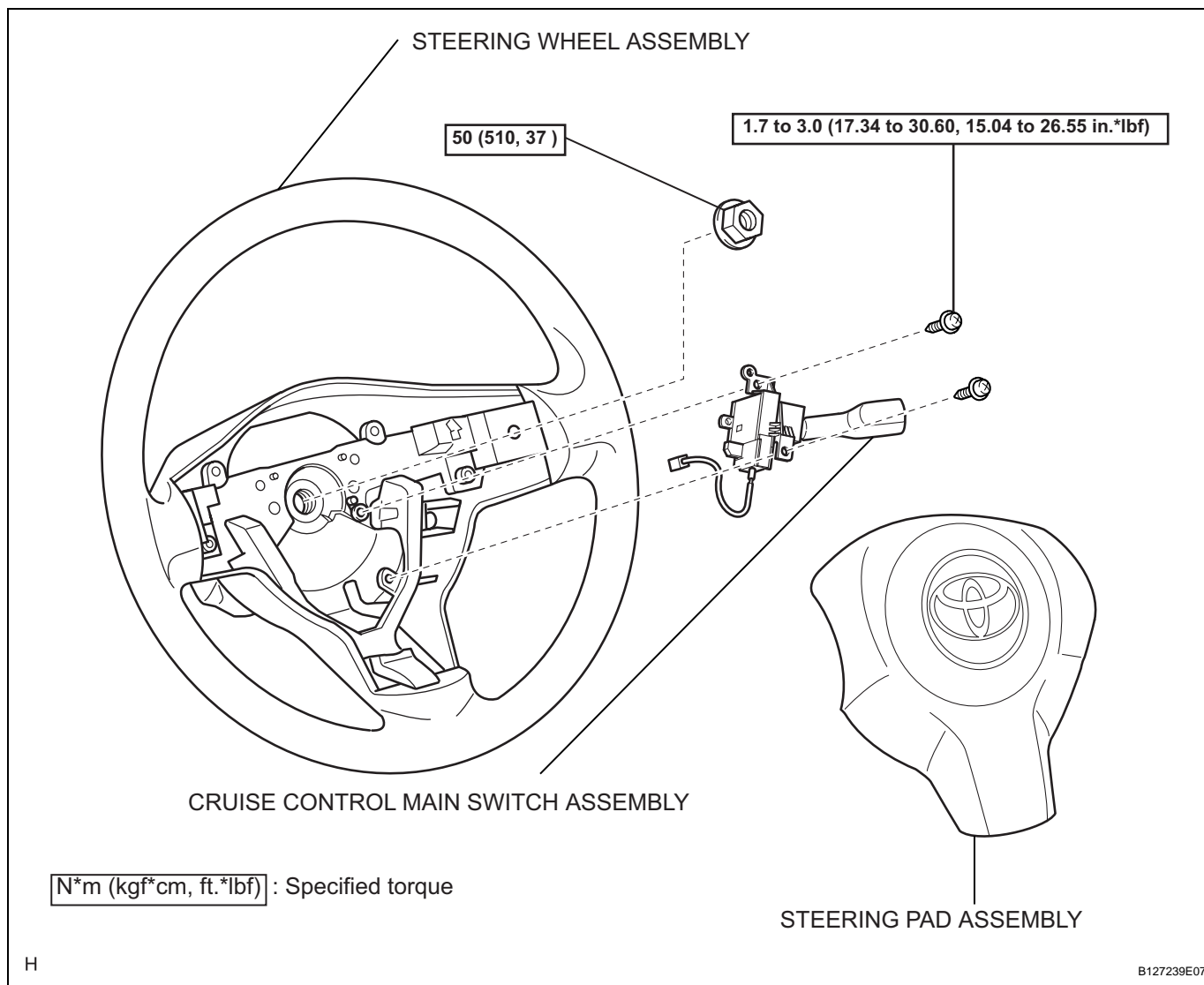


CRUISE CONTROL MAIN SWITCH

COMPONENTS



REMOVAL

CAUTION:

Be sure to read the precautionary notices concerning the SRS airbag system before servicing it (see page RS-1).

1. DISCONNECT CABLE FROM NEGATIVE BATTERY TERMINAL

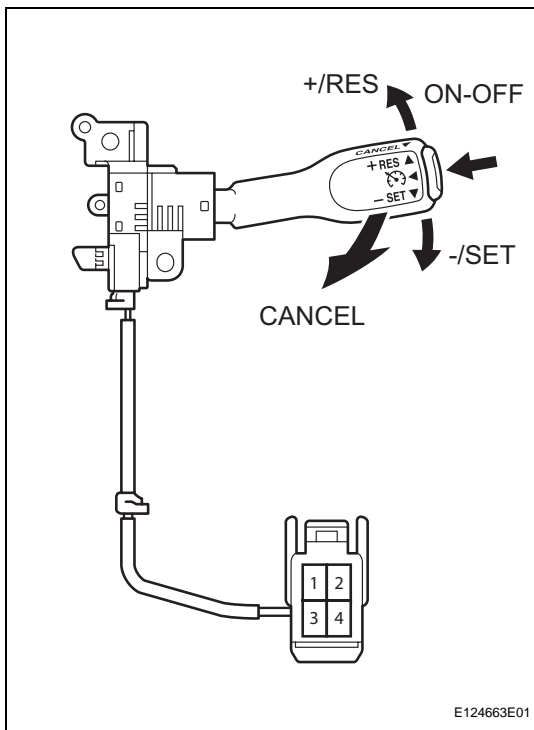
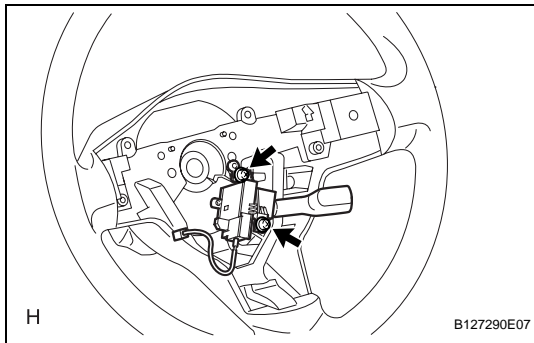
CAUTION:

Wait at least 90 seconds after disconnecting the cable from the negative (-) battery terminal to prevent airbag and seat belt pretensioner activation.

2. REMOVE STEERING PAD ASSEMBLY (See page RS-336)

3. REMOVE CRUISE CONTROL MAIN SWITCH

- (a) Disconnect the connector.
- (b) Remove the 2 screws and switch.



INSPECTION

1. INSPECT CRUISE CONTROL MAIN SWITCH

- (a) Measure the resistance of the switch.

Standard resistance

Tester Connection	Switch Condition	Specified Condition
3 - 4	+ /RES	216 to 264 Ω
	- /SET	567 to 693 Ω
	CANCEL	1,386 to 1,694 Ω
	Cruise control switch ON	Below 1 Ω
	Cruise control switch OFF	10 kΩ or higher

If the result is not as specified, replace the switch assembly.