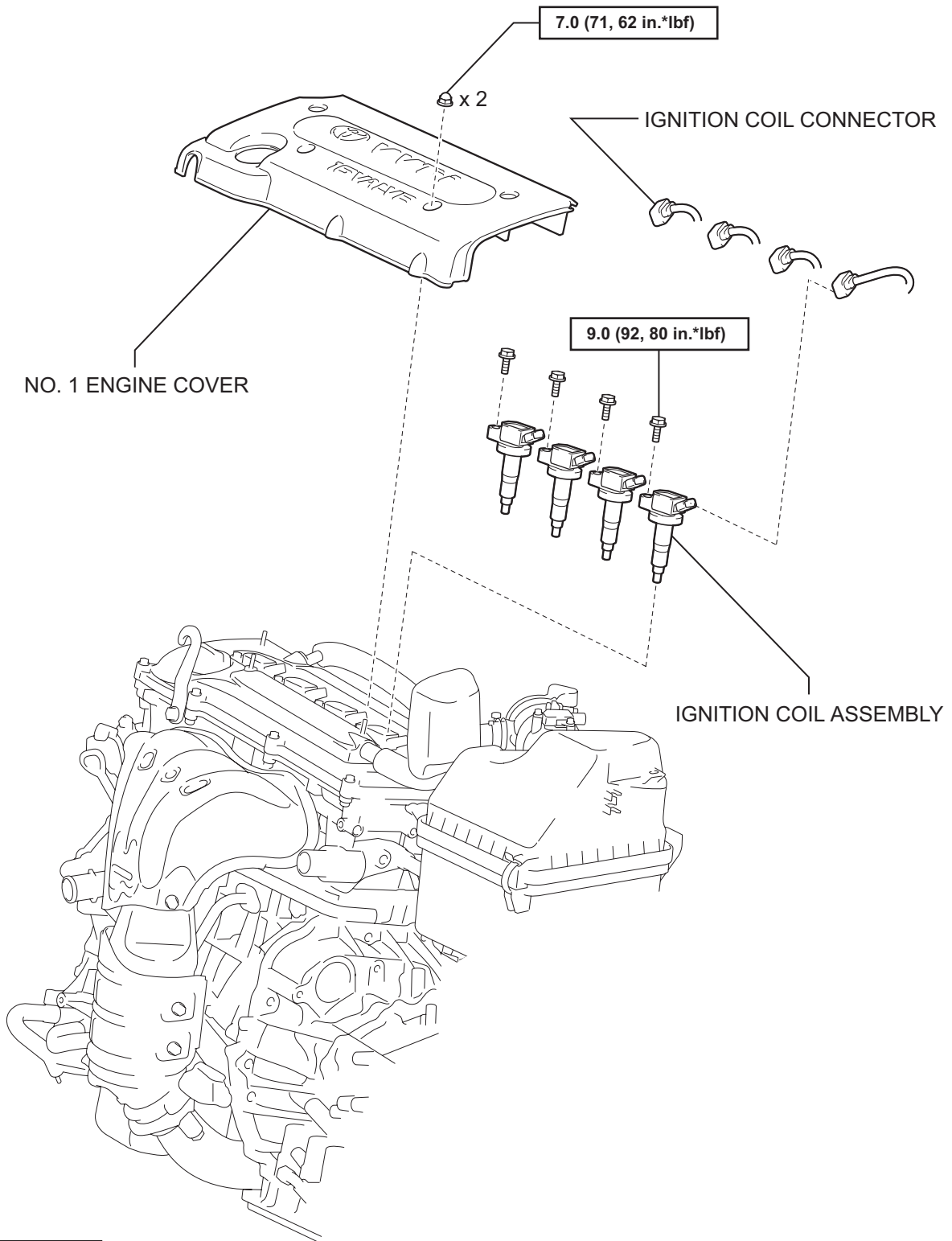


IGNITION COIL COMPONENTS



N*m (kgf*cm, ft.*lbf) : Specified torque

IG

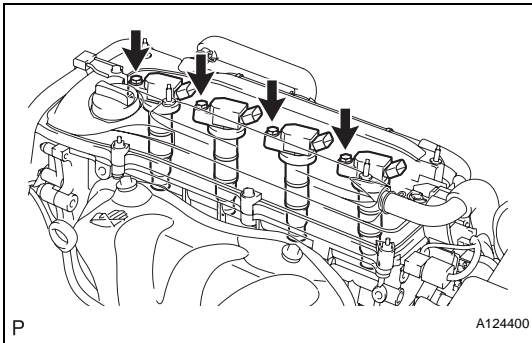
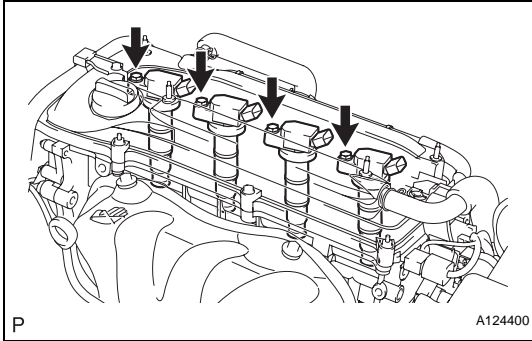
REMOVAL

1. DISCONNECT CABLE FROM NEGATIVE BATTERY TERMINAL

CAUTION:

Wait at least 90 seconds after disconnecting the cable from the negative (-) battery terminal to prevent airbag and seat belt pretensioner activation.

2. REMOVE NO. 1 ENGINE COVER (See page [ES-410](#))
3. REMOVE IGNITION COIL ASSEMBLY
 - (a) Disconnect the 4 ignition coil connectors.
 - (b) Remove the 4 bolts and 4 ignition coils.



INSTALLATION

1. INSTALL IGNITION COIL ASSEMBLY
 - (a) Install the 4 ignition coils with the 4 bolts.
Torque: 9.0 N*m (92 kgf*cm, 80 in.*lbf)
 - (b) Connect the 4 ignition coil connectors.
2. INSTALL NO. 1 ENGINE COVER (See page [ES-414](#))
3. CONNECT CABLE TO NEGATIVE BATTERY TERMINAL